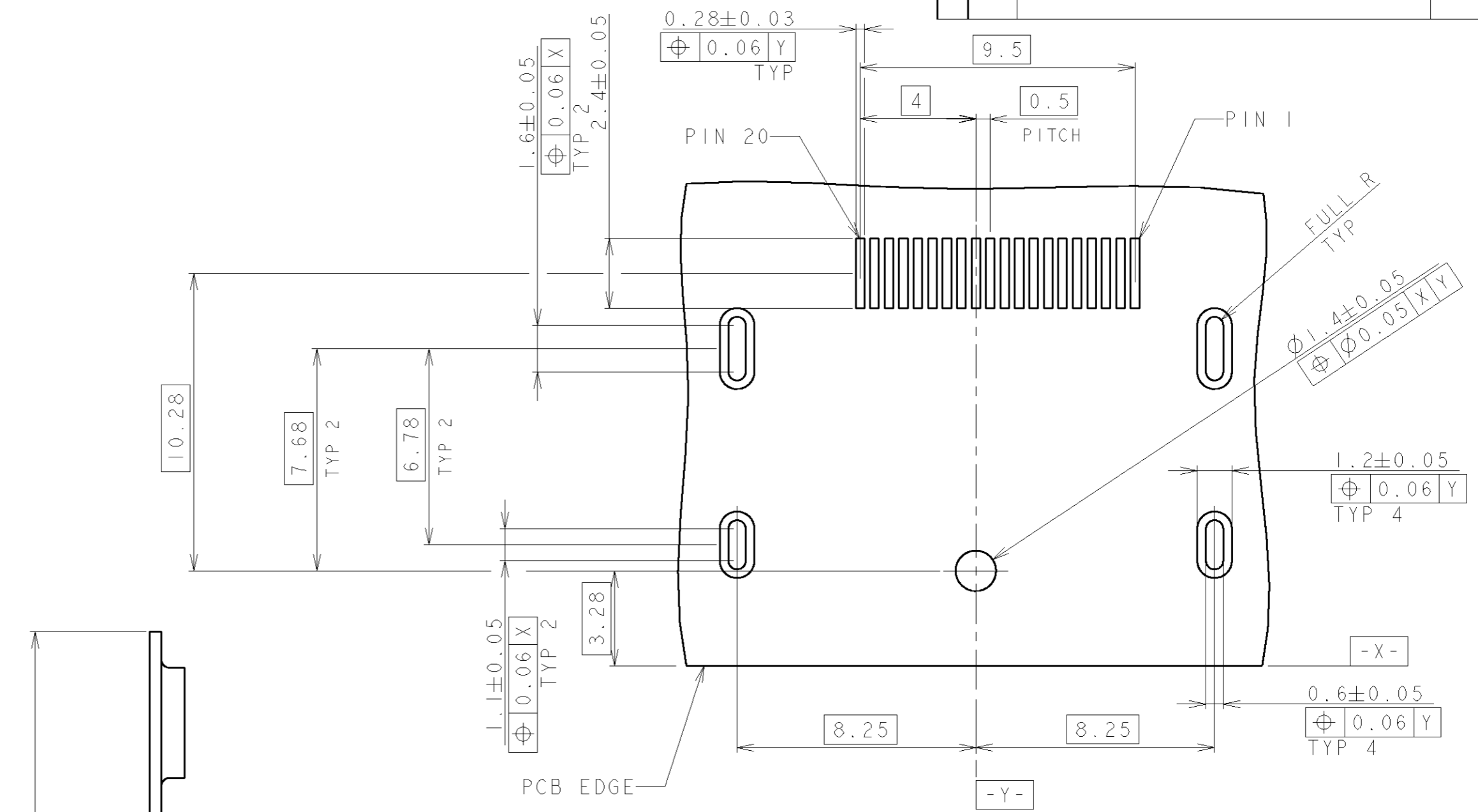
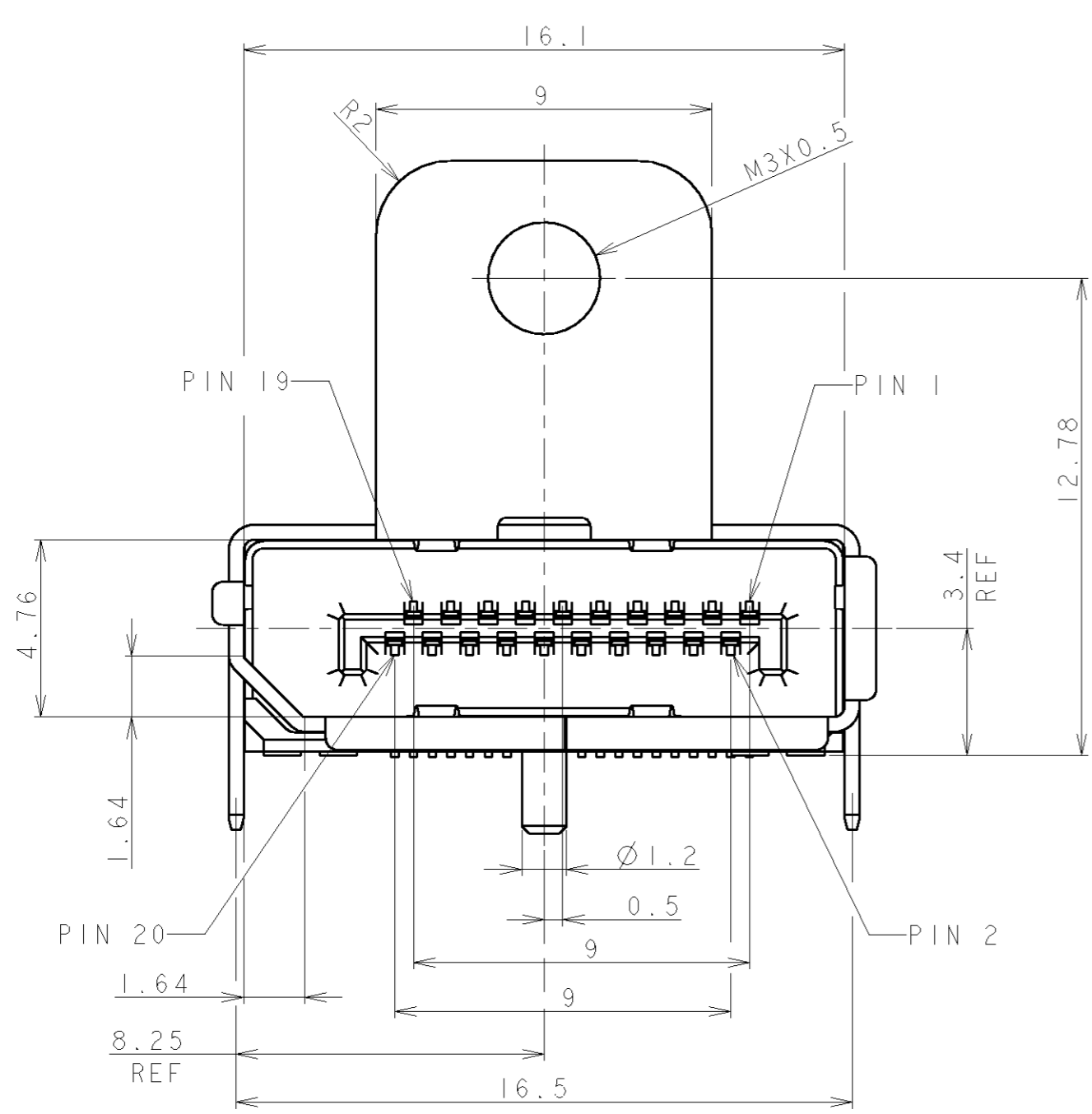
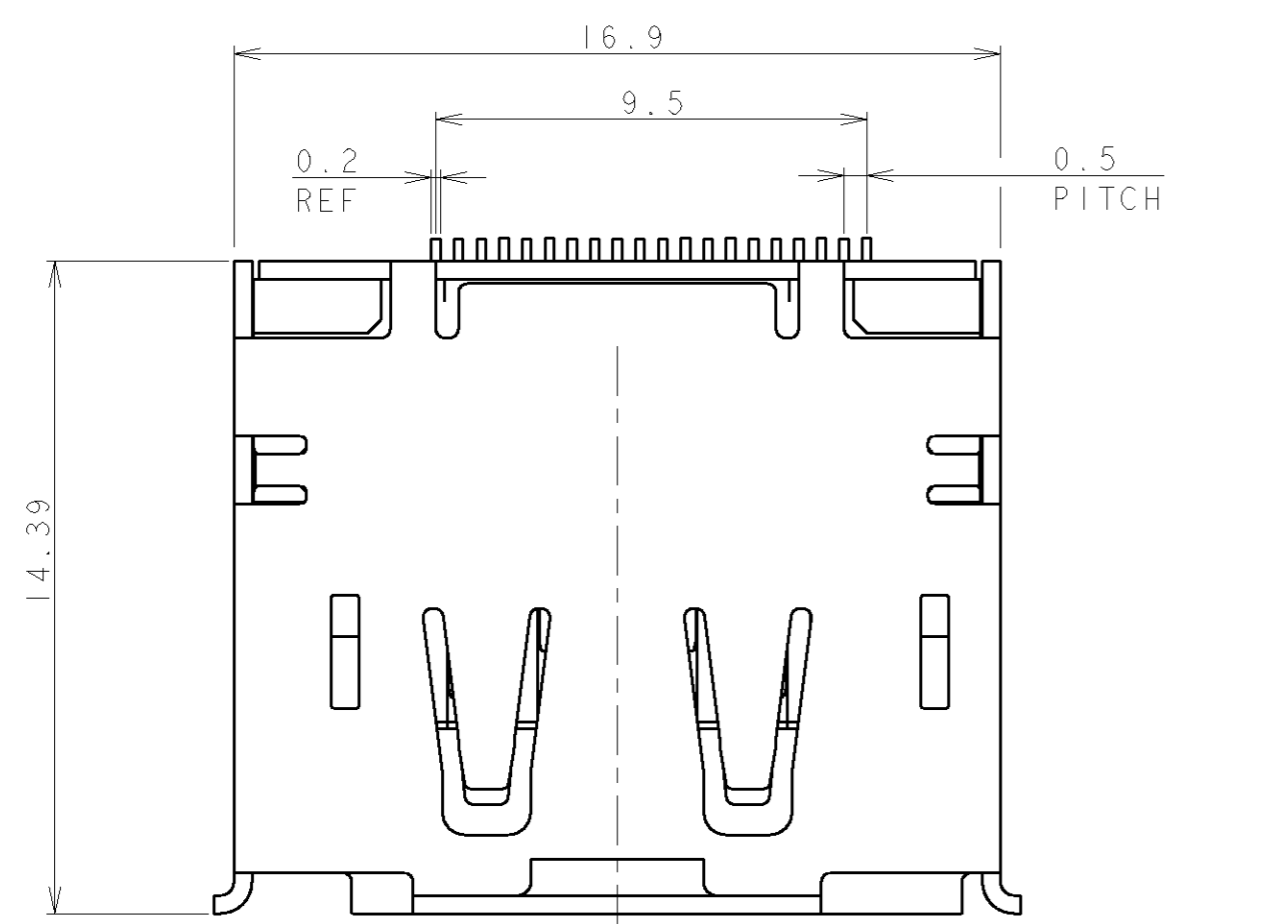
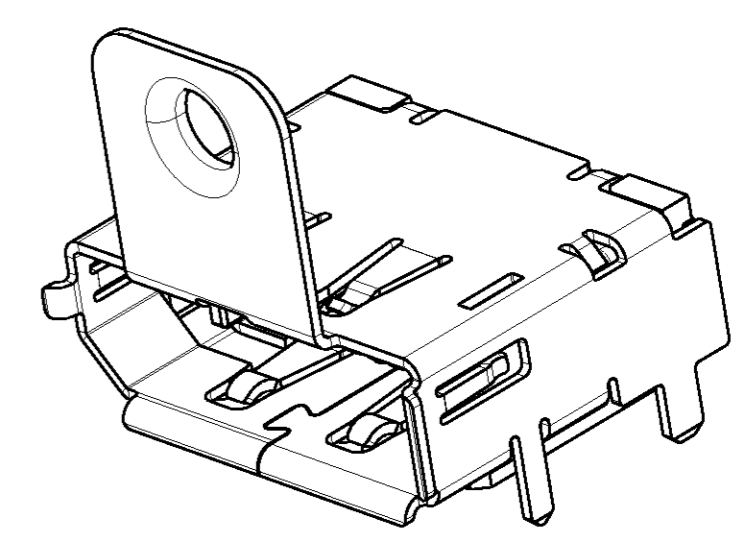
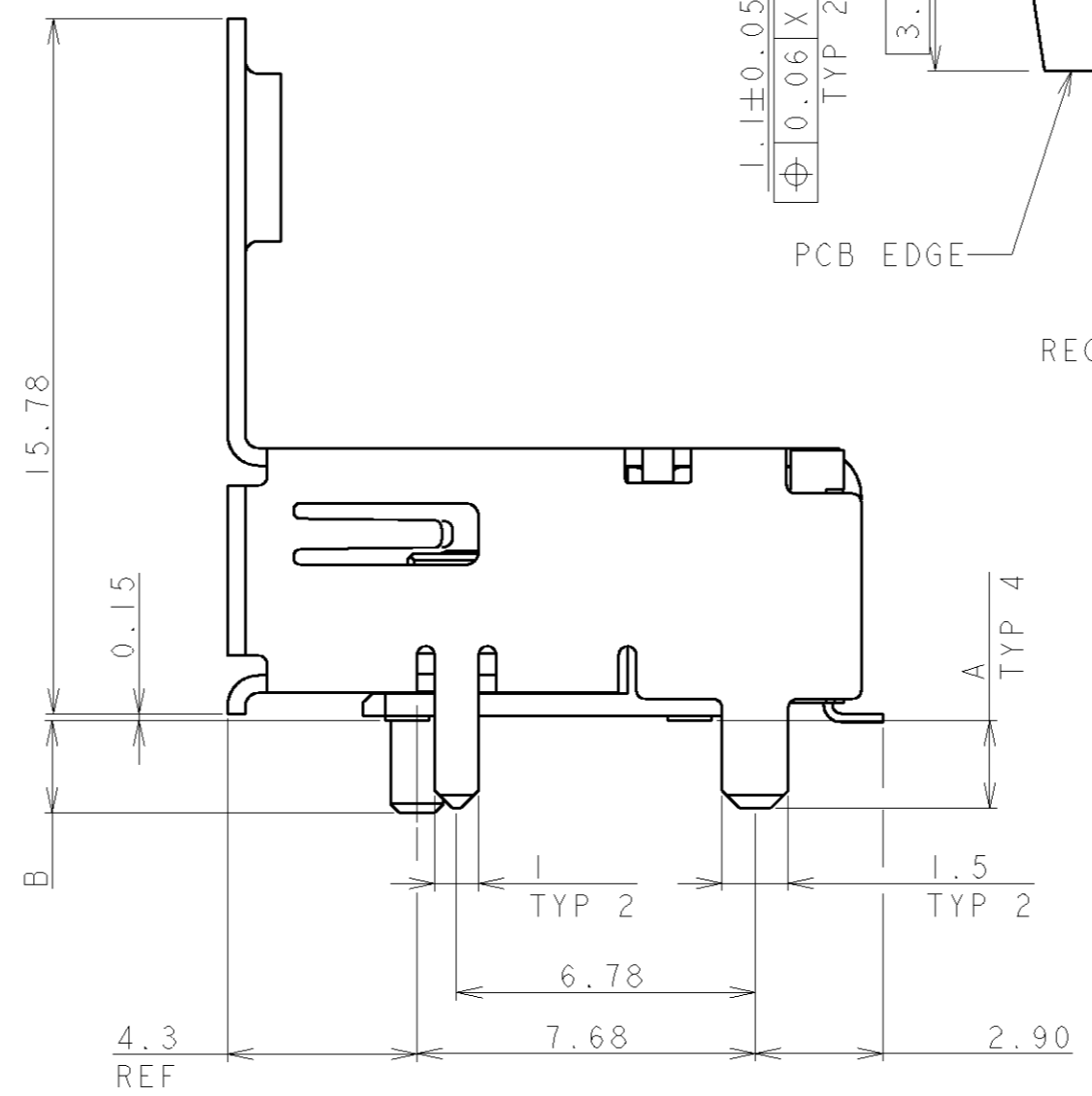


LOC		DIST		REVISIONS			
P	LTR	DESCRIPTION	DATE	DWN	APVD		
	A	RELEASED	15FEB08	Y.H	T.K		



RECOMMENDED PCB LAYOUT (THICKNESS=1.6±0.1)
MOUNTING SIDE



- MATERIAL:
 HOUSING: HIGH TEMPERATURE THERMAL PLASTIC, BLACK, UL94V-0.
 CONTACT: COPPER ALLOY.
 SHELL: COPPER ALLOY.
- FINISH:
 CONTACT: CONTACT AREA: 0.76 MINIMUM MICRON GOLD PLATING OVER 1.27 MINIMUM MICRON NICKEL PLATING ALL
 SOLDER TAIL AREA: 2.54 MINIMUM MICRON TIN PLATING.
 SHELL: NICKEL PLATING SOLDERABILITY IS WORSE THAN MATTE TIN PLATING IN SOME CONDITION, IN SUCH CASE, PLEASE SELECT MATTE TIN
- THIS PRODUCT IS PACKED IN TRAY.

- 1 : AS SHOWN

MATTE TIN	1.9	1.8	1-2040204-5
NICKEL	1.9	1.8	1-2040204-1
MATTE TIN	2.1	2	2040204-5
NICKEL	2.1	2	2040204-1
SHELL PLATING	DIM B	DIM A	PART NUMBER

THIS DRAWING IS A CONTROLLED DOCUMENT FOR TYCO ELECTRONICS CORPORATION IT IS SUBJECT TO CHANGE AND THE CONTROLLING ENGINEERING ORGANIZATION SHOULD BE CONTACTED FOR THE LATEST REVISION.		DWN Y. HIRATA 15FEB2008	Tyco Electronics Corporation Kawasaki, Japan	
DIMENSIONS: 単位: 純 mm		CHK T. KUSUHARA 15FEB2008	NAME RECEPTACLE ASSEMBLY DISPLAYPORT RA SMT STD TH-LEG WITH FLANGE	
TOLERANCES UNLESS OTHERWISE SPECIFIED: 一般公差 0 PLC ±0.3 1 PLC ±0.3 2 PLC ±0.3 3 PLC ±0.3 4 PLC ±0.3 ANGLES ±2° FINISH 仕		APVD T. KUSUHARA 15FEB2008	PRODUCT SPEC 108-78515	
MATERIAL 材料		APPLICATION SPEC 取付適用規格	SIZE A2p0779	DRAWING NO C-2040204
CUSTOMER DRAWING		WEIGHT	SCALE 4:1	SHEET 1 OF 2 REV A

4

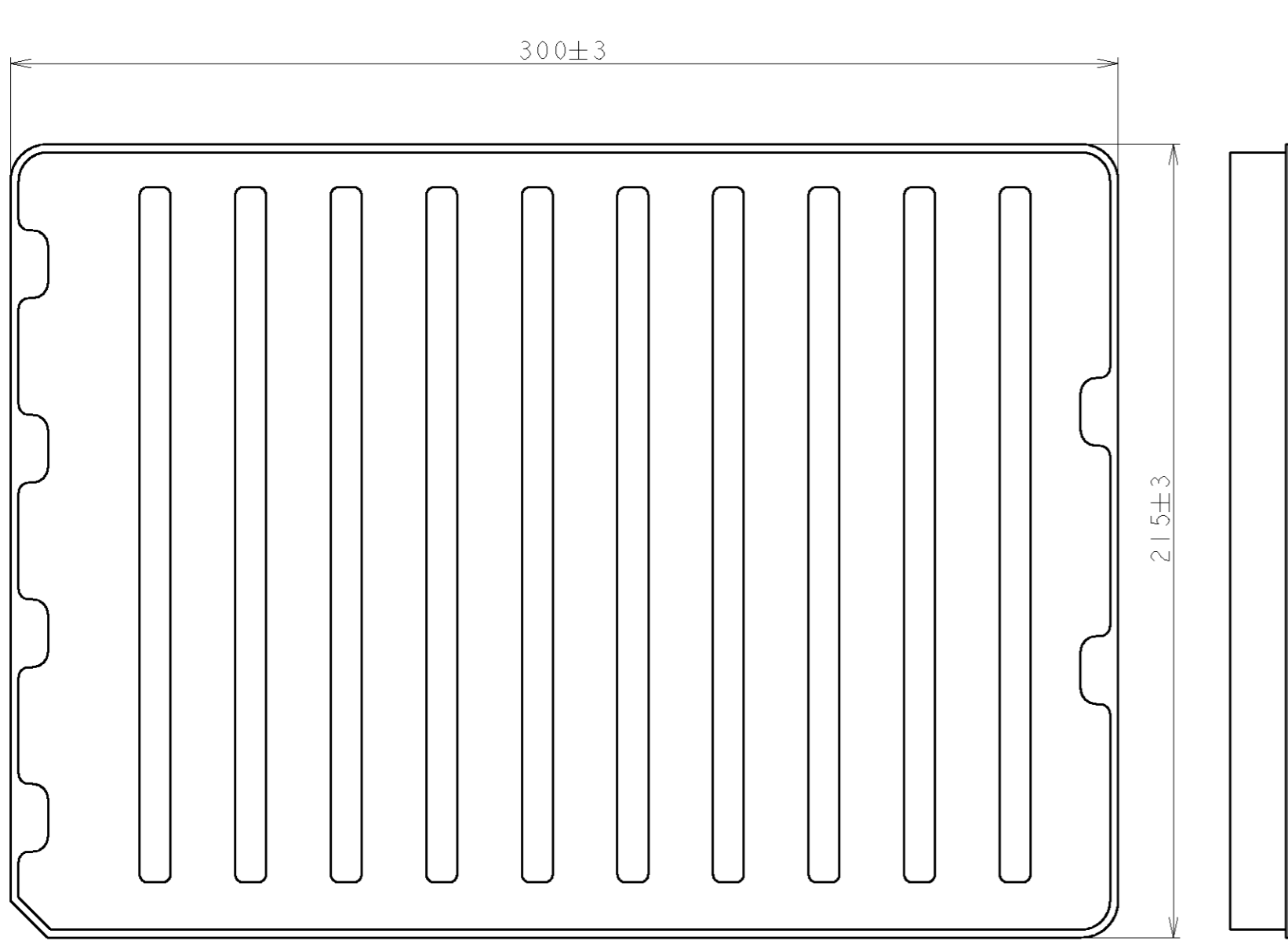
3

2

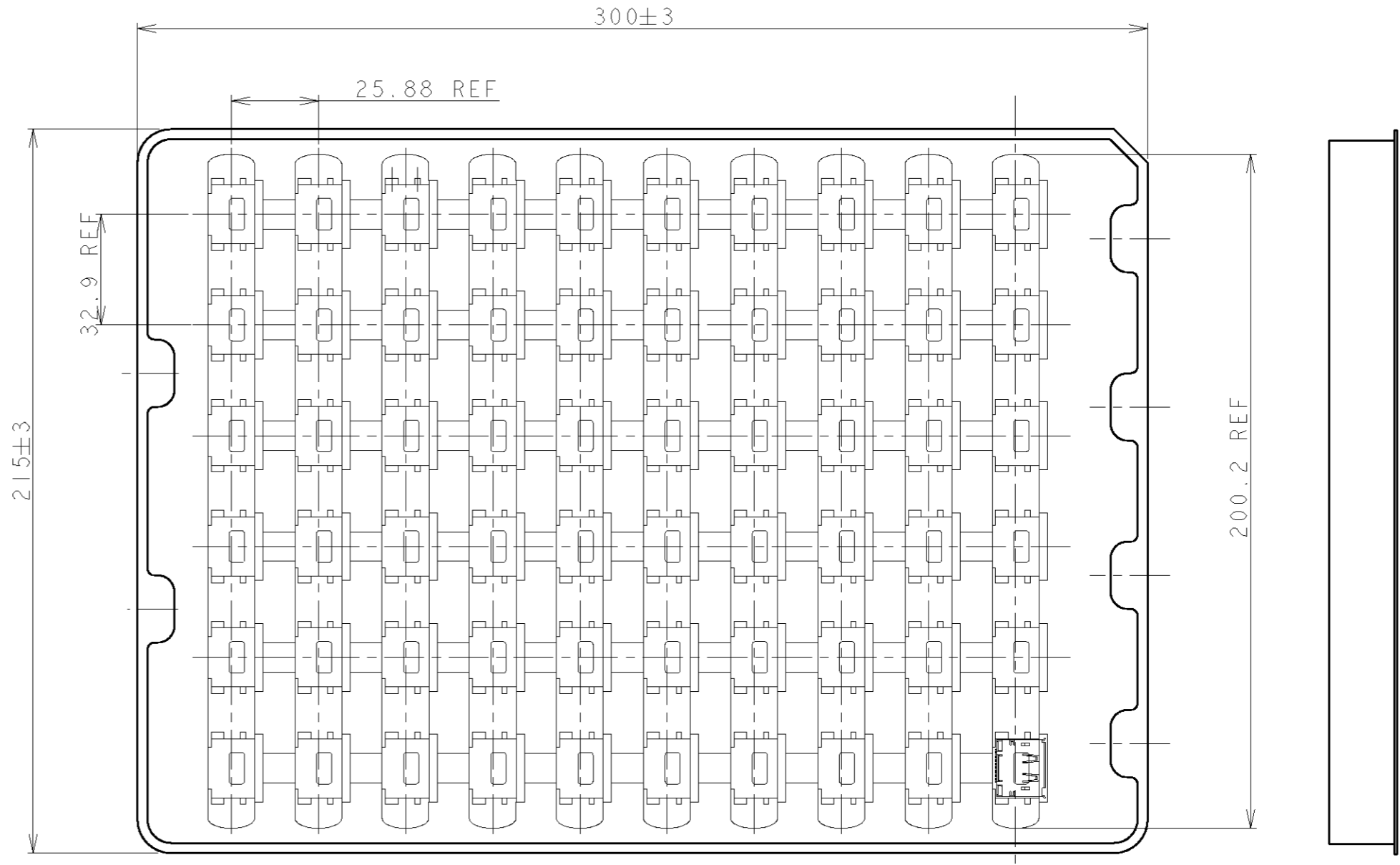
1

THIS DRAWING IS UNPUBLISHED. RELEASED FOR PUBLICATION 2008
 © COPYRIGHT 2008 BY TYCO ELECTRONICS CORPORATION. ALL RIGHTS RESERVED.

LOC	DIST	REVISIONS			
P	LTR	DESCRIPTION	DATE	DWN	APVD
		SEE SHEET 1	-	-	-



UPPER TARY



LOWER TARY

PACKAGE TARY

<small>THIS DRAWING IS A CONTROLLED DOCUMENT FOR TYCO ELECTRONICS CORPORATION IT IS SUBJECT TO CHANGE AND THE CONTROLLING ENGINEERING ORGANIZATION SHOULD BE CONTACTED FOR THE LATEST REVISION.</small>		DWN	Tyco Electronics Corporation Kawasaki, Japan	
DIMENSIONS: mm		CHK	NAME	
		APVD	RECEPTACLE ASSEMBLY DISPLAYPORT RA SMT STD TH-LEG WITH FLANGE	
TOLERANCES UNLESS OTHERWISE SPECIFIED: 0 PLC ± 1 PLC ± 2 PLC ± 3 PLC ± 4 PLC ± ANGLES ± FINISH ±		PRODUCT SPEC	SIZE	RESTRICTED TO
MATERIAL		APPLICATION SPEC	A200779	
		WEIGHT	C-2040204	
		CUSTOMER DRAWING	SCALE NTS	SHEET 2 OF 2 REV A

2040204